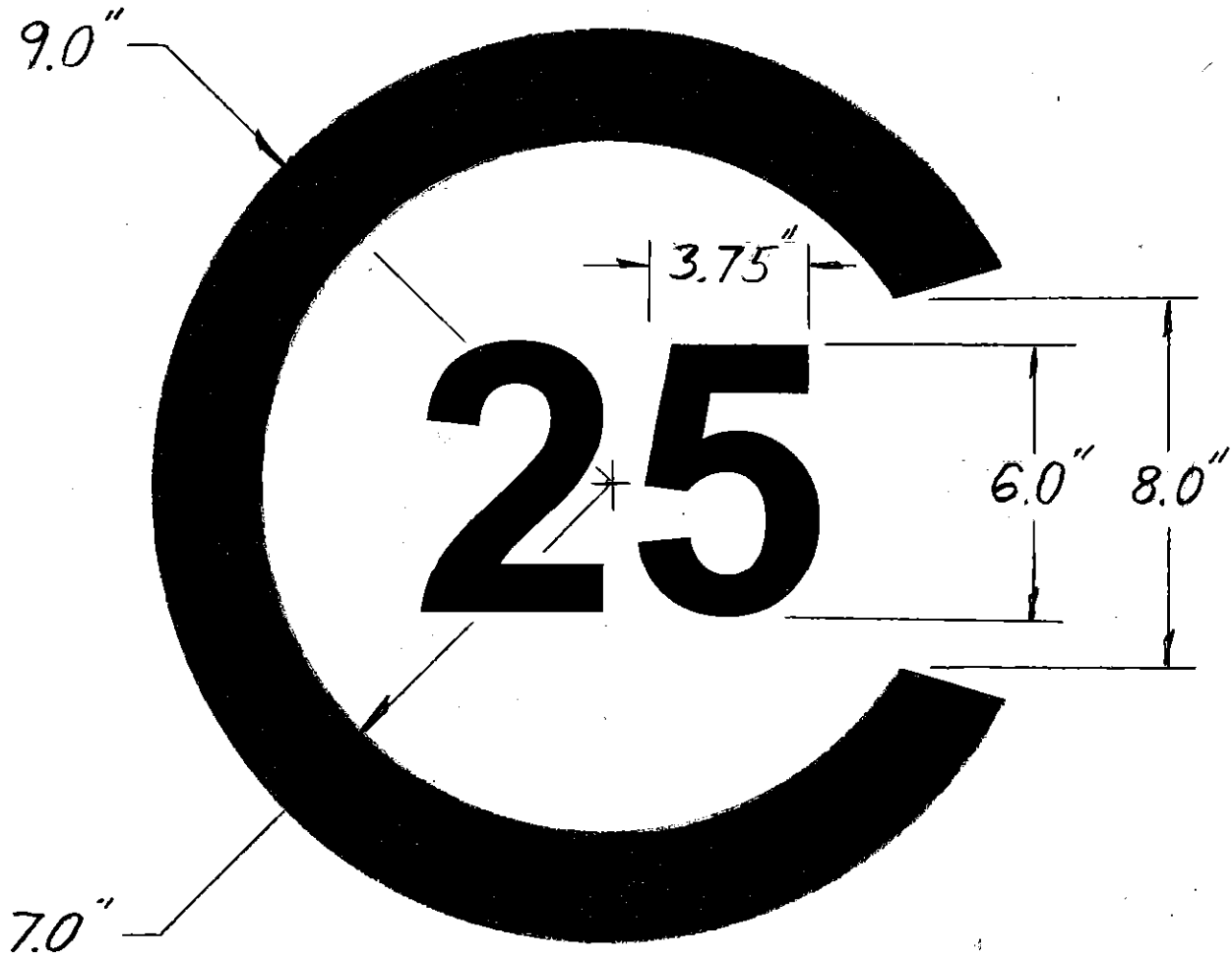


**Attachment "A"**  
**Cal 25 Class Emblem**

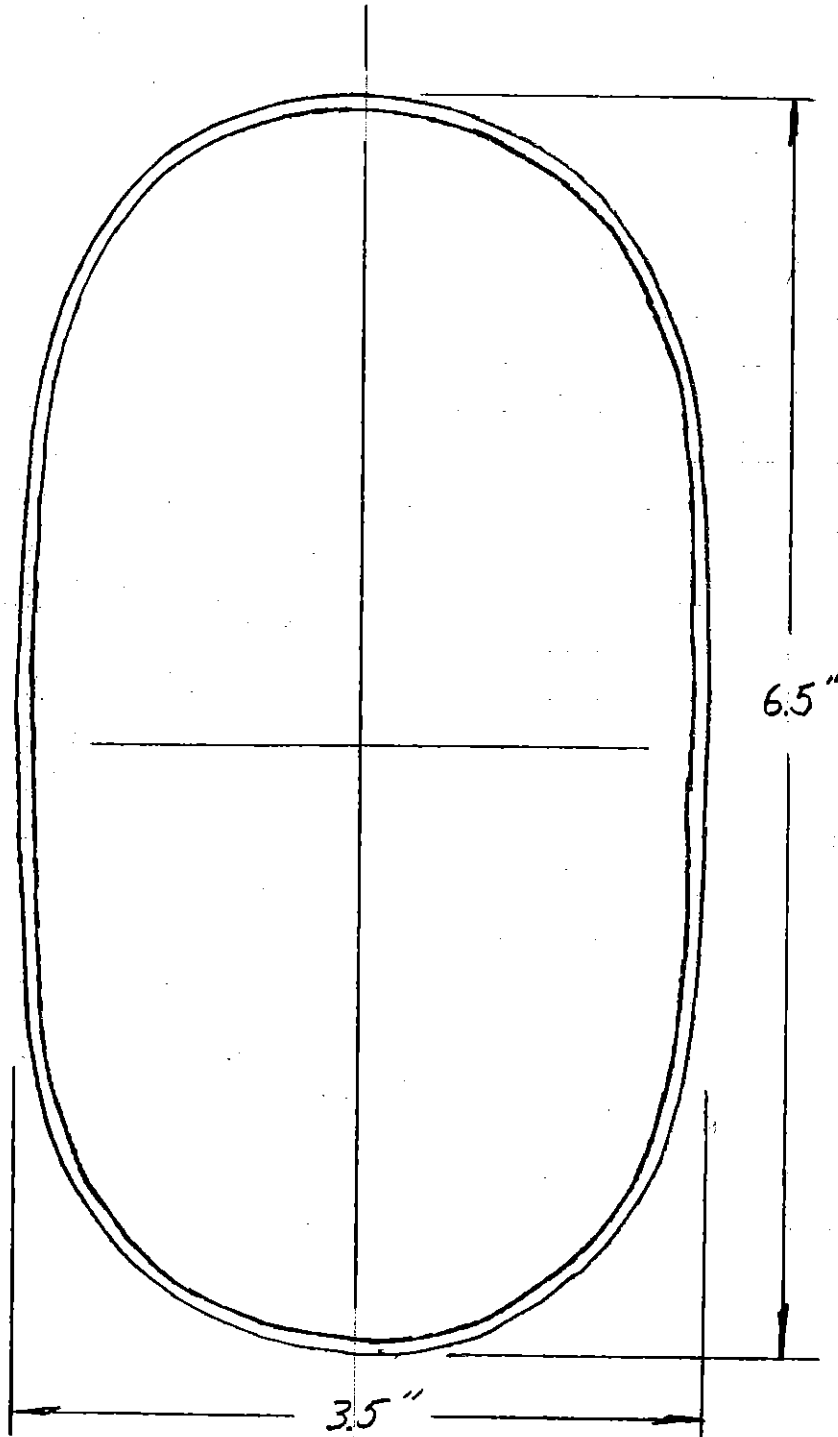


All dimensions on this drawing are intended to be guidelines rather than strict specifications. Therefore, no dimensional tolerances are included.

# Cal 25 Original Equipment Mast Generation I

Height: 6.5 "  
Width: 3.5 "

Wall Thickness: 0.095 "  
Source: Famet

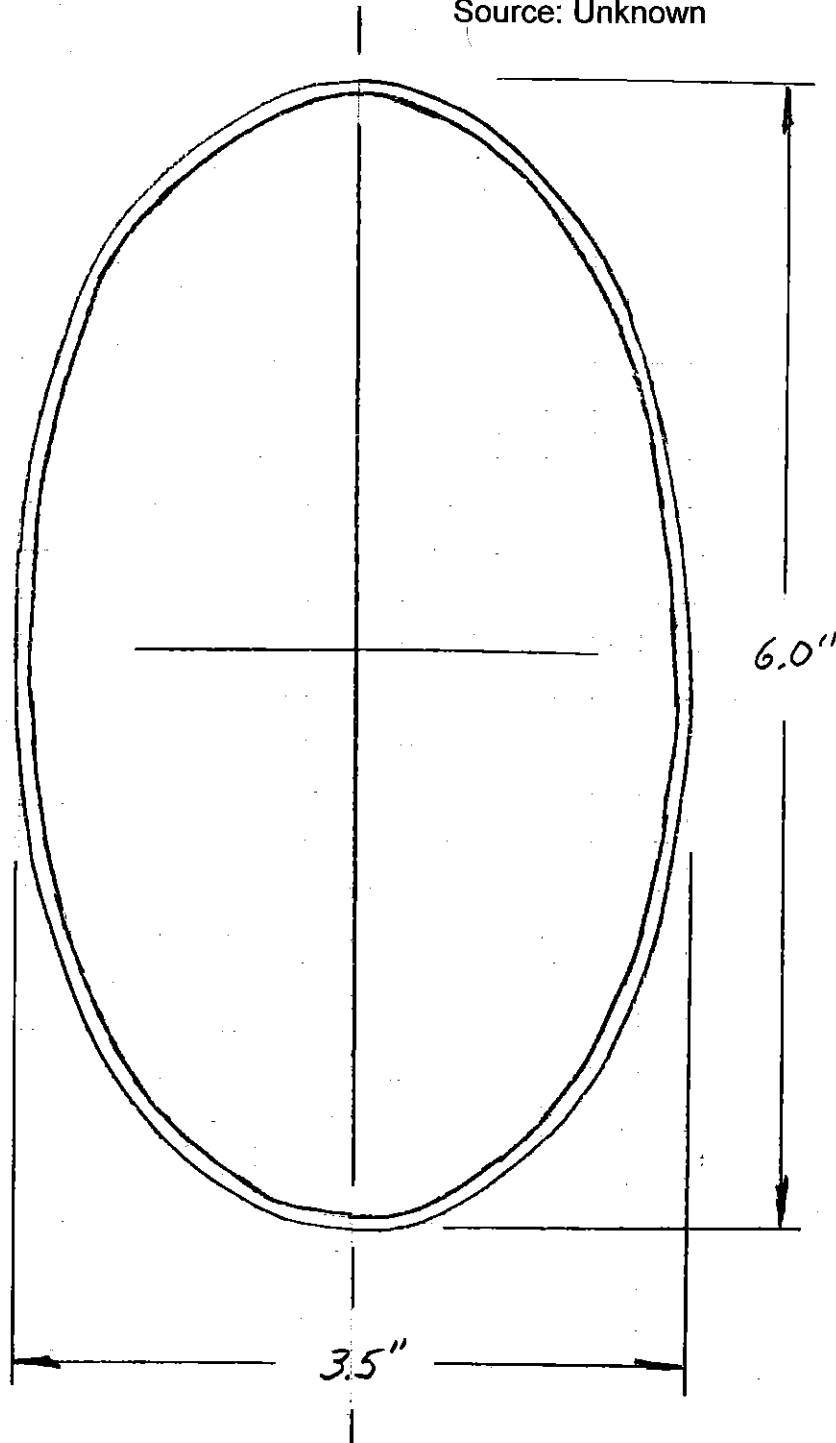


Note: All dimensions are based on measurements taken off of existing parts and are not necessarily manufacturer specifications.

# Cal 25 Original Equipment Mast Generation II

Height: 6.0 "  
Width: 3.5 "

Wall Thickness: 0.135 "  
Source: Unknown

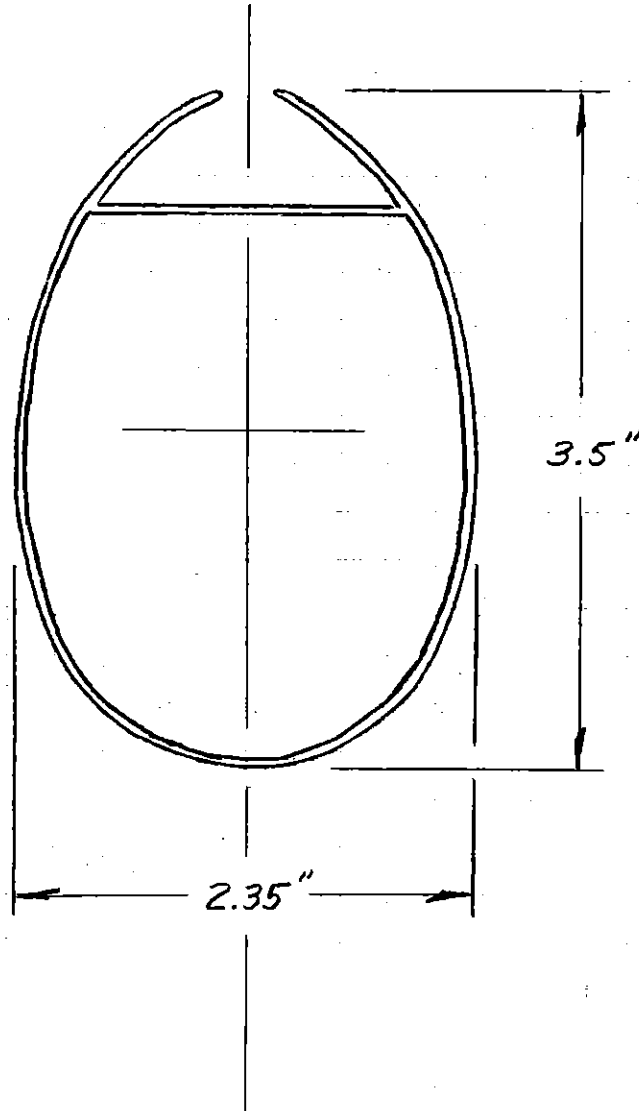


Note: All dimensions are based on measurements taken off of existing parts and are not necessarily manufacturer specifications.

## Cal 25 Original Equipment Boom

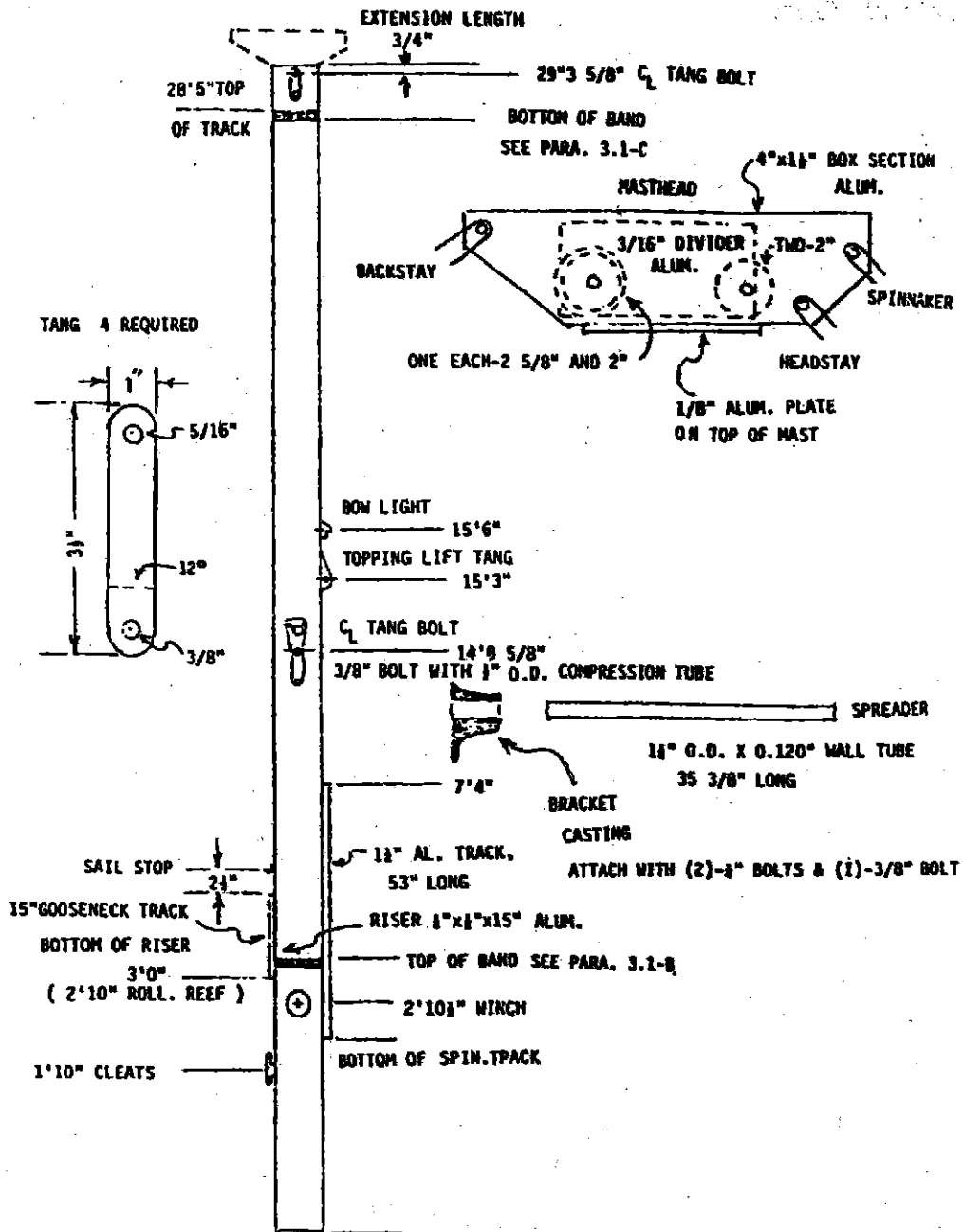
Height: 3.5 "  
Width: 2.35"

Wall Thickness: 0.075"  
Source: Famet 1200 Series  
(Sec#4)



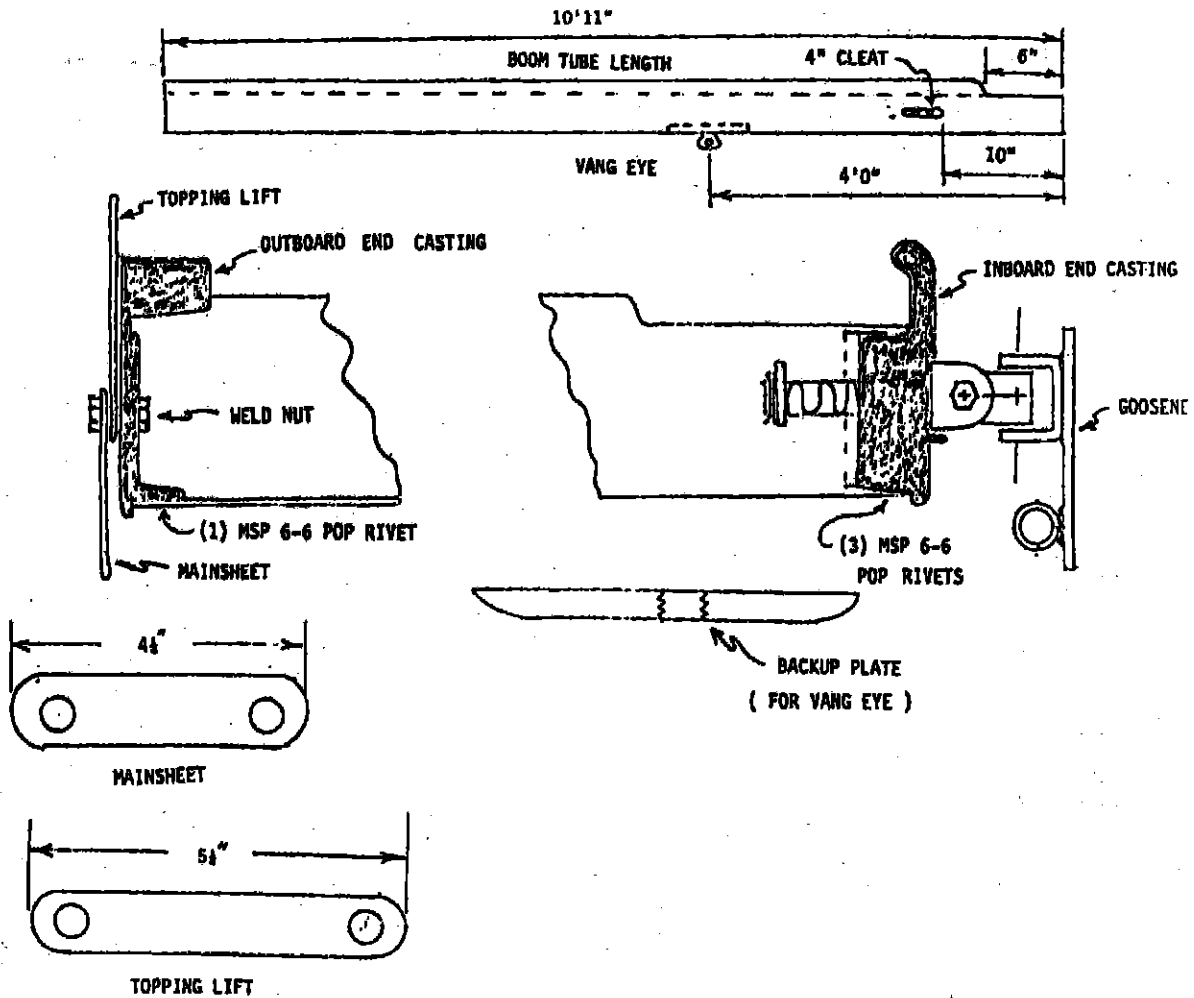
Note: All dimensions are based measurements taken off of existing parts and are not necessarily manufacturer specifications.

# Mast Schematic



Note: All dimensions are based measurements taken off of existing parts and are not necessarily manufacturer specifications. None of the dimensions or configurations included in this schematic are intended to be class specifications.

# Boom Schematic



Note: All dimensions are based measurements taken off of existing parts and are not necessarily manufacturer specifications. None of the dimensions or configurations included in this schematic are intended to be class specifications.